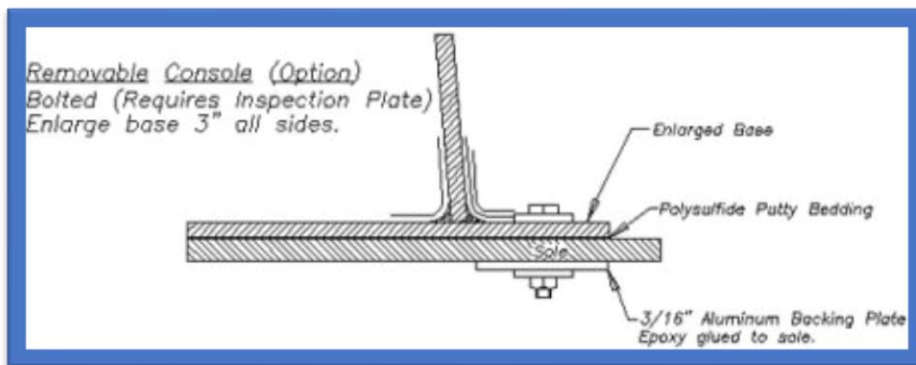
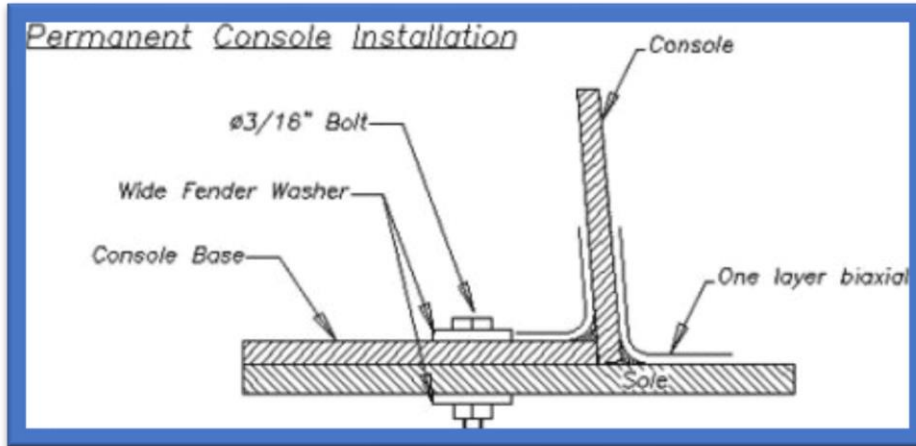


# Console Installation

## HOW TO INSTALL A CONSOLE ON A COCKPIT SOLE:

Note: small consoles do not have a bottom and are usually tabbed directly to the sole.

- ✍️ Locate and scribe outline.
- ✍️ Cover bottom contact area with epoxy putty using a serrated spatula.
- ✍️ Position console and fasten with bolts through sole.
- ✍️ Remove excess putty around base.
- ✍️ Build fiberglass seam between console bottom perimeter and cockpit sole.



Important: It is not visible on the drawing, but the fiberglass lamination extends under the bolts and washers.

